

CLEANING 140



SPARE PARTS LIST

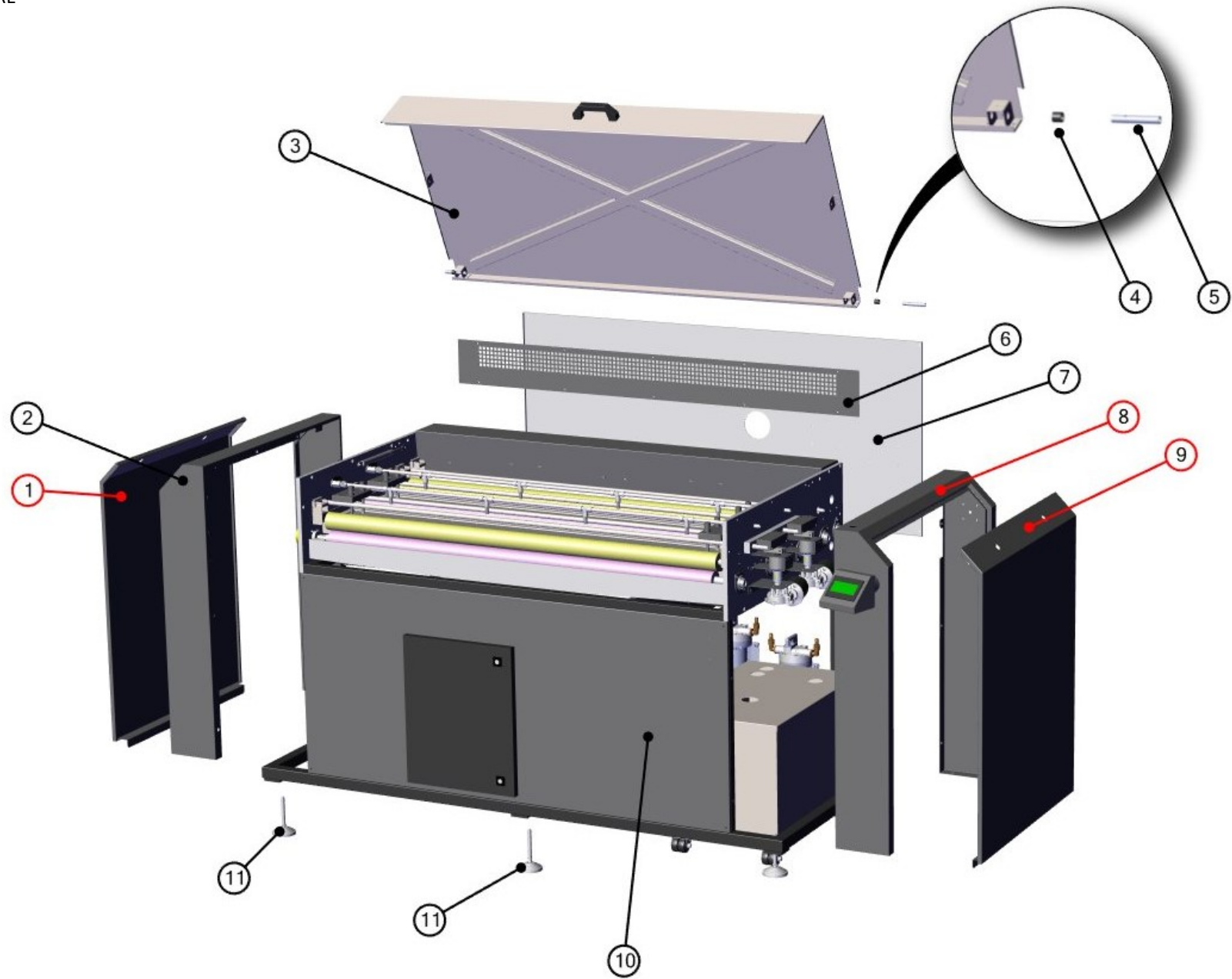
Rev_00_2018

FREE PAGE

PW 82

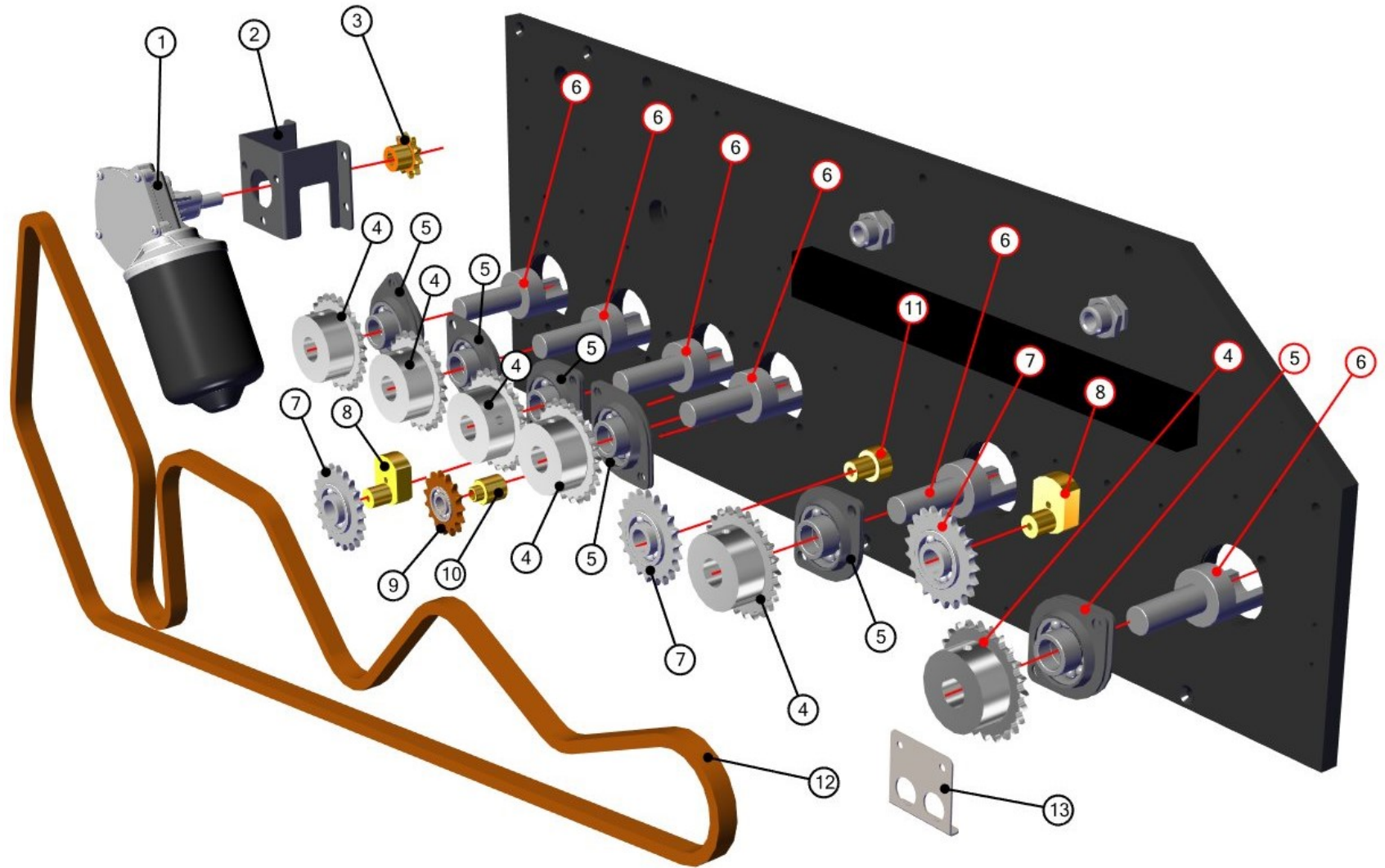
- 4. Machine structure exploded view**
- 5. Machine structure exploded view tab.**
- 6. Rolls transport system**
- 7. Rolls transport system tab.**
- 8. Brush movement system**
- 9. Brush movement system tab**
- 10. Washout tank particoulars**
- 11. Washout tank particoulars tab**
- 12. Rolls and tank parts**
- 13. Rolls and tank parts tab**
- 14. Recycle and pumps**
- 15. Recycle and pumps tab**
- 16. External components**
- 17. External components tab**
- 18. Electrical plate and other electrical parts**
- 19. Electrical plate and other electrical parts tab**
- 20. Other components**

MACHINE STRUCTURE



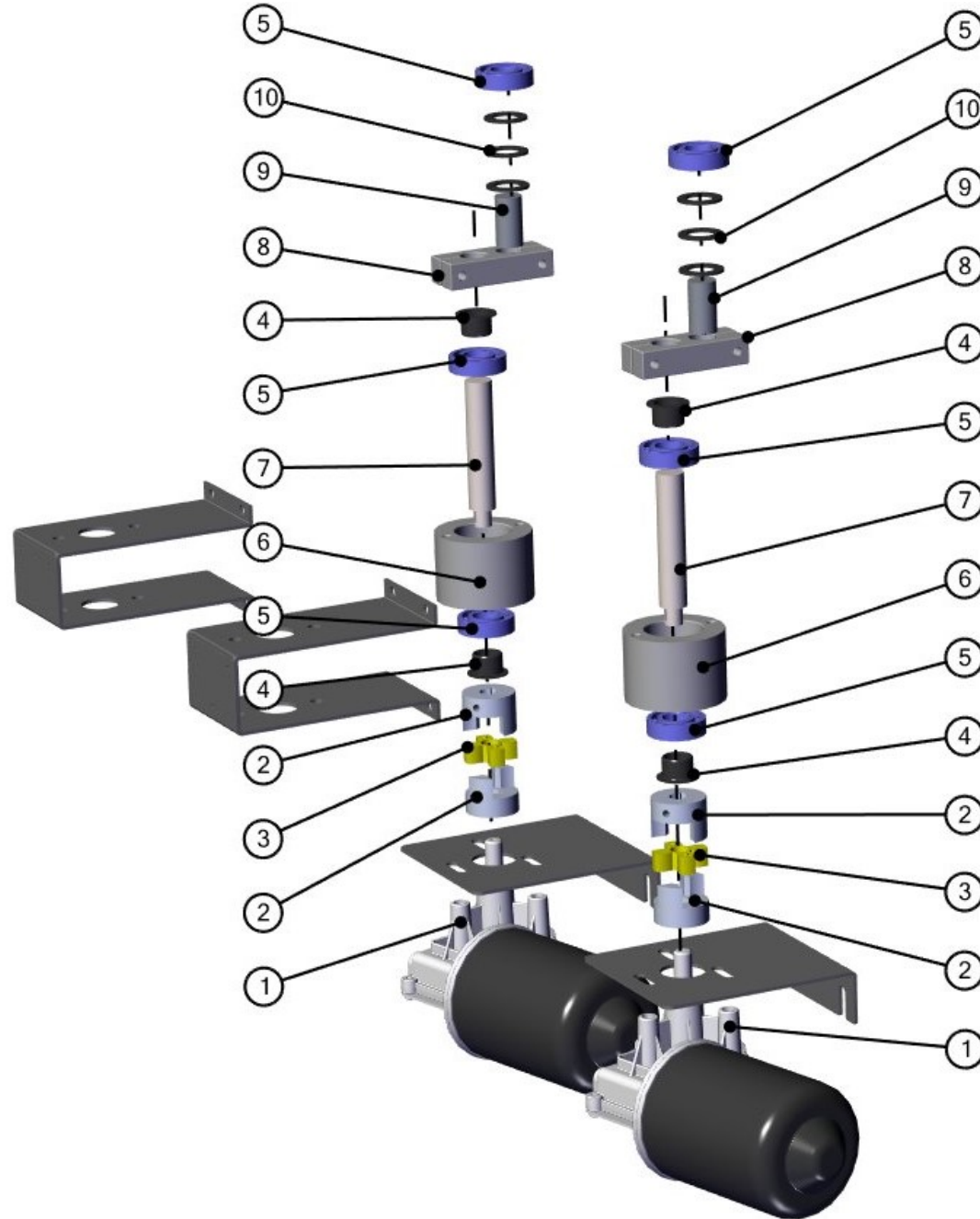
Dr_Ref	Order code	Description	Note
1	140C0030D	Left panel	
2	140A0030B	Left structure	
3	140A0030I	Cover	
4	140T0014I	Spacer for cover fixing	
5	140T0014H	Cover fixing pin	
6	140C0012B_02	Dryer cover	
7	140C0030G	Rear panel	
8	140A0030F	Right structure	
9	140C0030B	Right panel	
10	140C0030H	Front panel	
11	MEPI307	Adjustable foot	

ROLLS TRANSPORT SYSTEM



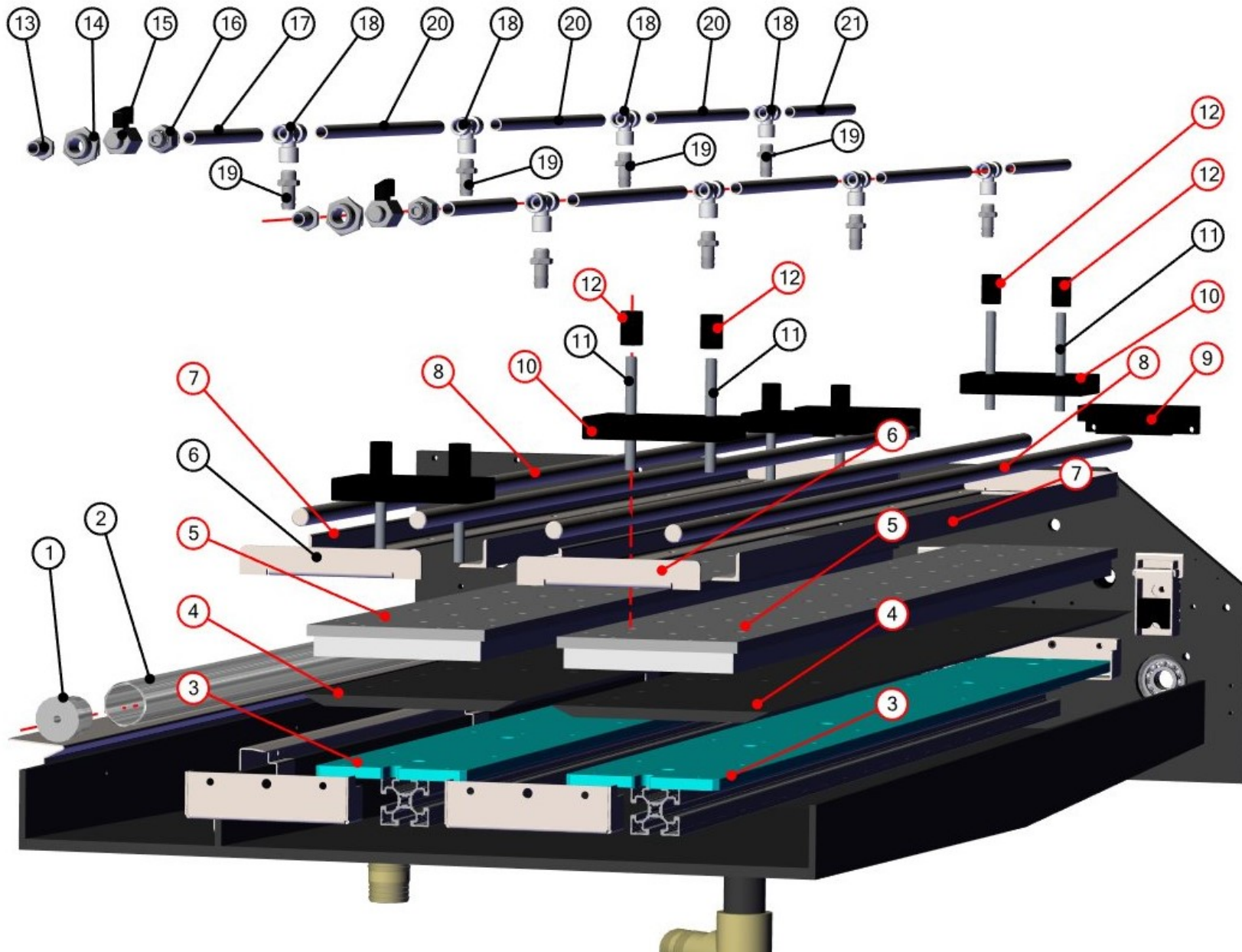
Dr_Ref	Order code	Description	Note
1	MEMO135	Driver motor	
2	140C0014D	Driver motor bracket	
3	MEPIS3/8X7/32Z10	Driver motor chain pinion	
4	MEPIS3/8X7/32Z24	Chain pinions	
5	MECU204	Bearing housing for roll	
6	TOGIUNTOPORULLI96140	Joint for roller	
7	MEPITEP3/8Z21	Chain tensioner pinion	
8	TOPERNOTENDIPP96140	Chain tensioner spindle	
9	MEPITEP3/8Z15RCT-R	Tensioner pinion	
10	140T0014A_01	Pinion spindle	
11	TOPERNOFOLLE96140	Pinion spindle	
12	MECATENAP3/8	Chain	
13	140C0014N	Detergent pipe bracket	

BRUSH MOVEMENT SYSTEM



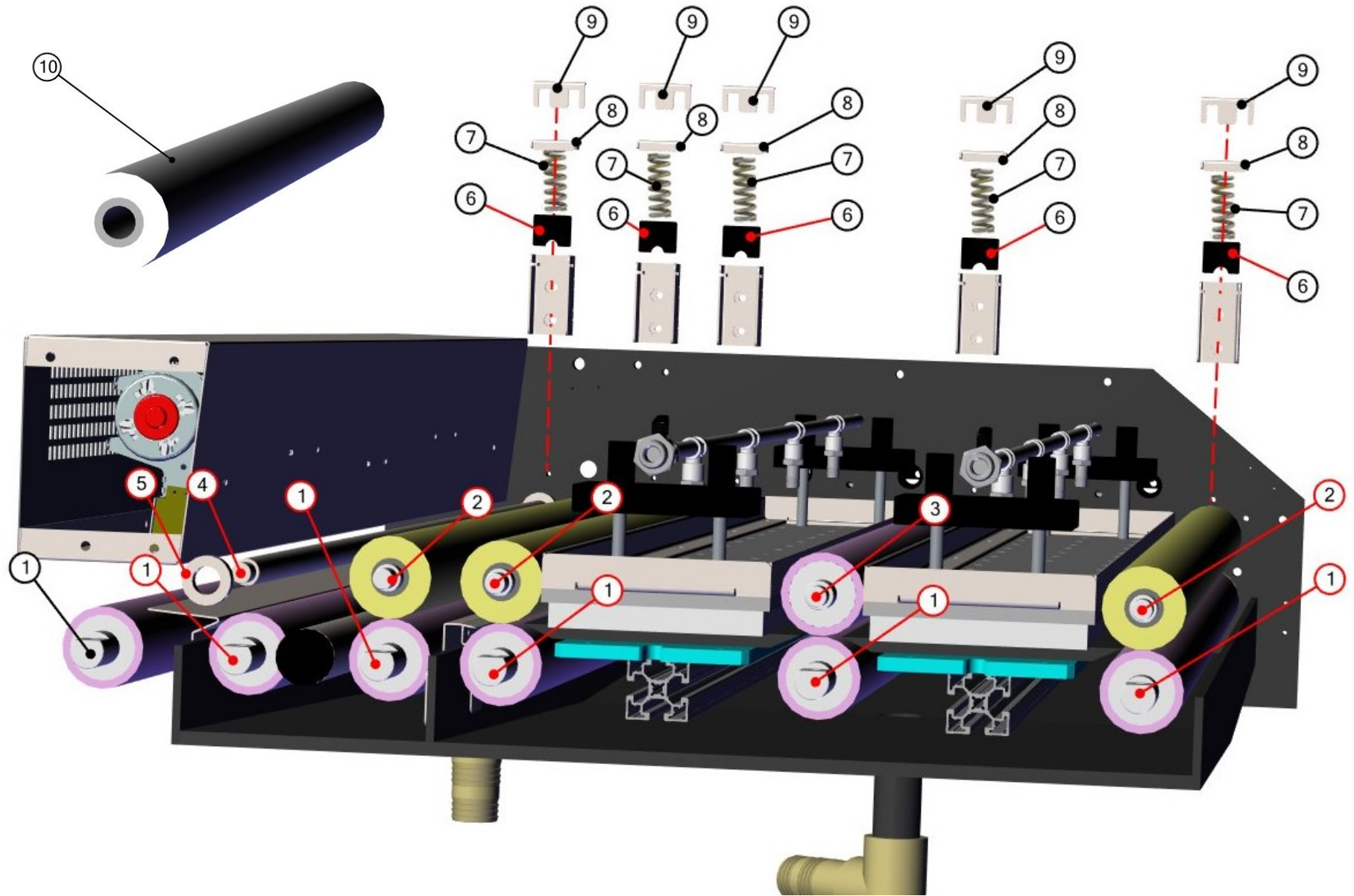
Dr_Ref	Order code	Description	Note
1	MEMO157	Driver motor for brushes	
2	MEGIUEL-14	Flexible coupling	
3	MEGIUEL-14	Flexible coupling	
4	MEBOFL	Flange bushing	
5	MECU60022RS	Bearings	
6	TOPORTACUSCPOLY_R02	Bearings housing	
7	140T0020L	Motor driver pin	
8	TOBIELLA22	Connected rods	
9	TOPEZZOINH30XD15	Brush movement pins	
10	MERALLA	Spacers	

WASHOUT TANK PARTICULARS



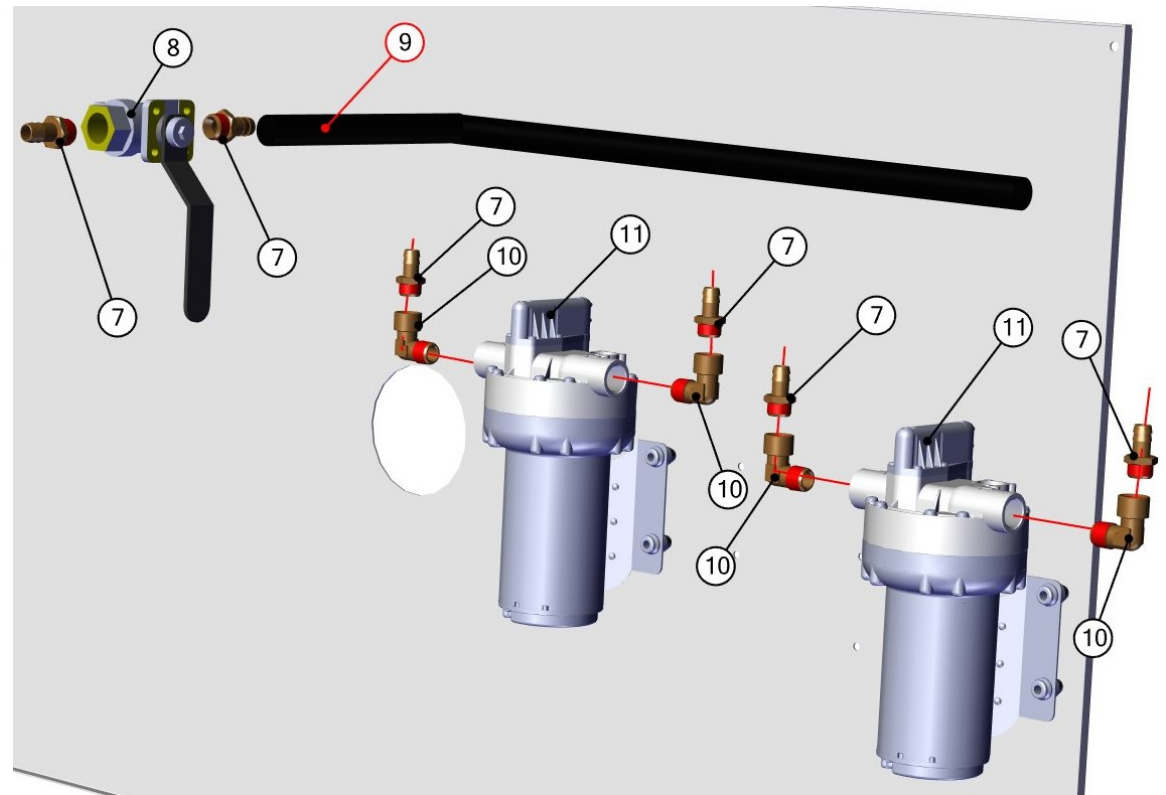
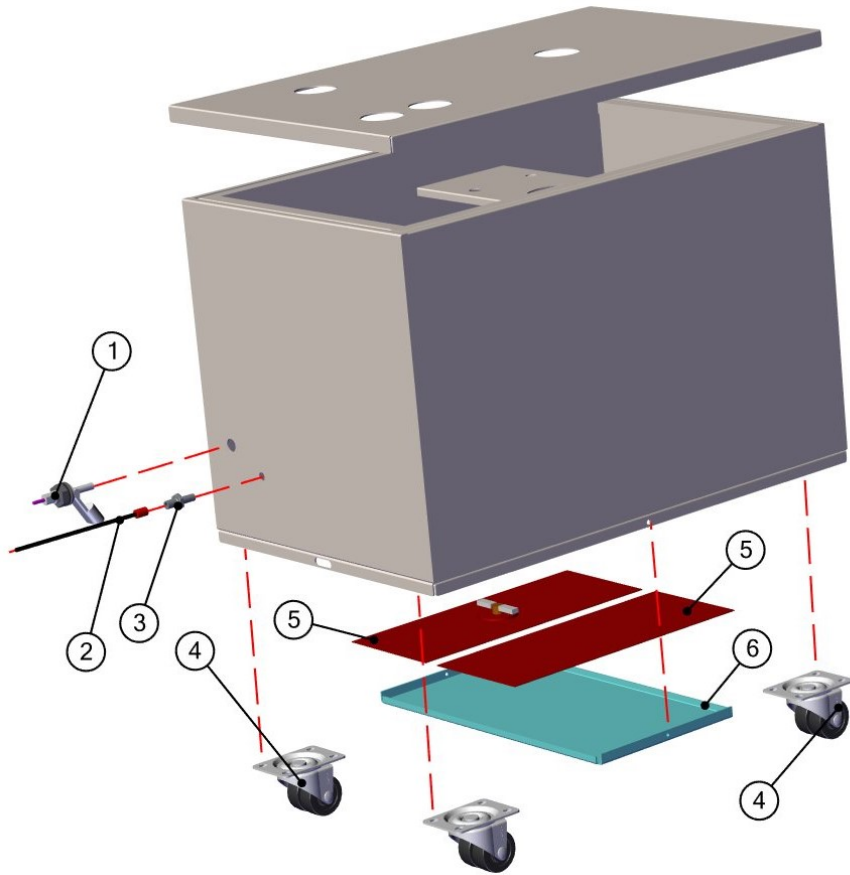
Dr_Ref	Order code	Description	Note
1	140T0014Q	Exit roller cup	
2	140T0014M	Exit roller	
3	140A0030P	Plan support	
4	140T0030G	Polyzene plans	
5	MESP14000010A	Brushes	
6	140C0010D_02	Containment angular short	
7	140T0014P_01	Containment angular long	
8	140T0010C_01	Brush spindle driver	
9	KCP60010E	External bracket for brush spindle driver	
10	KCP60010G	Brush support for pin	
11	45T0010G_03	Brush pin	
12	KCP60010L	Brush pin stopper	
13	IDPGOT3/8X12	Hose connection external	
14	IDRID3/8-1/2CIL	Riduction 3/8 " to 1/2"	
15	IDMINIBALLMF3/8	Flow valves	
16	MEATTRAP3/8X12	Connection valve to pipes	
17	140T0014L	Pipe n°1	
18	IDRACTFFF1/4	T connection	
19	IDPGOT1/4X8	Hose connector	
20	140T0014K	Pipe n°2	
21	140T0014J	Pipe n°3	

ROLLS AND TANK PARTS



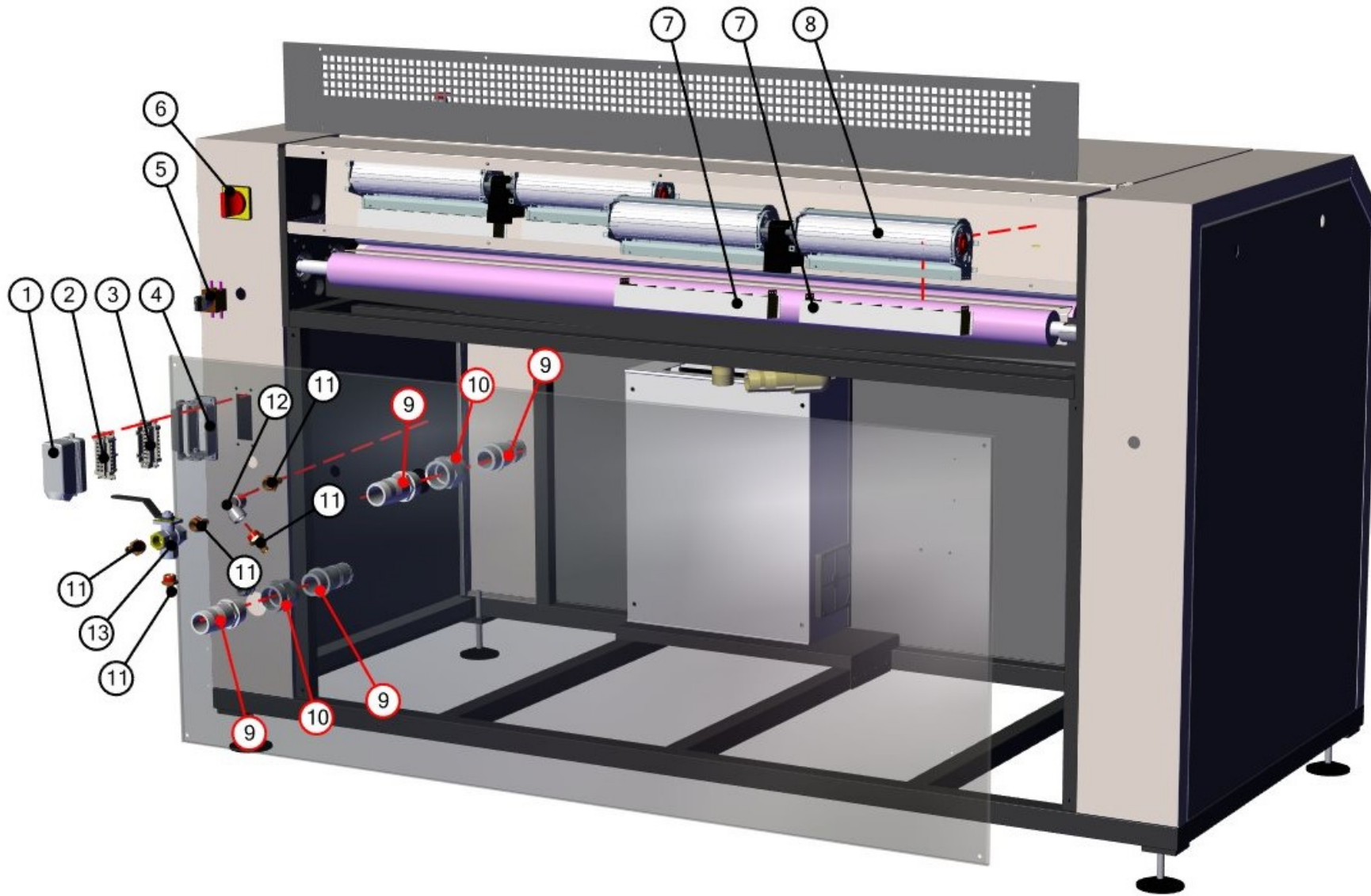
Dr_Ref	Order code	Description	Note
1	MERULLOSUPCL140	Inferior rolls with hole	
2	MERULLONEOPRENECL140T	Neoprene rolls	
3	MERULLOINFCL140	Roll without hole	
4	140T0010N_01	Metal pipe for sponge roller	
5	TORONDELLAFERMA SPUGNAJET_01	Sponge roll stopper	
6	140T00140_01	Roll stopper	
7	MEMOLLA39	Roll stopper spring	
8	140C0010Y_02	Spring cup	
9	140C0010V	Spring cup stopper	
10	140T0014E	Sponge roller	

RECYCLE AND PUMPS:



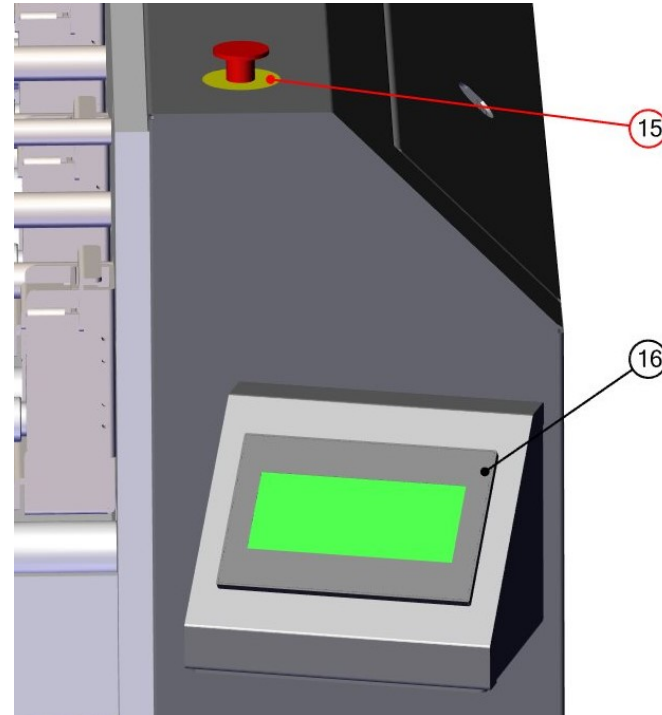
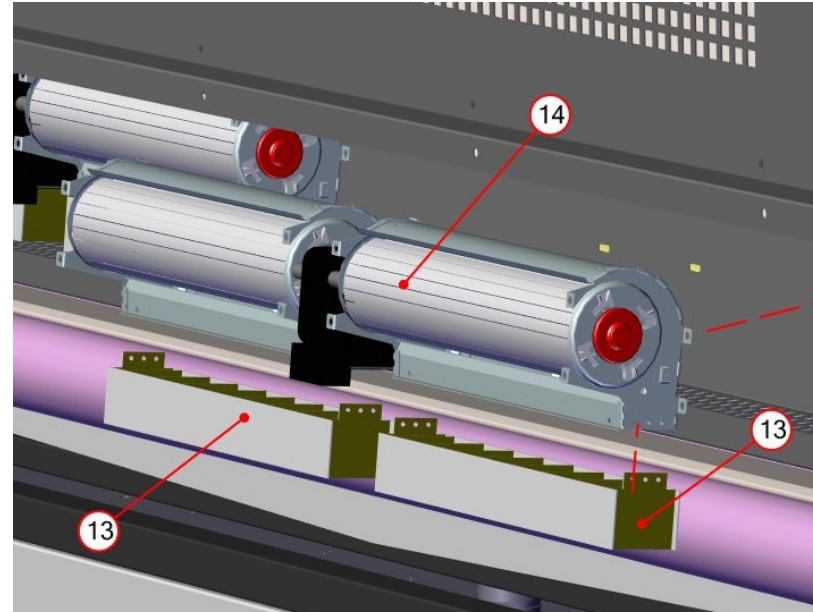
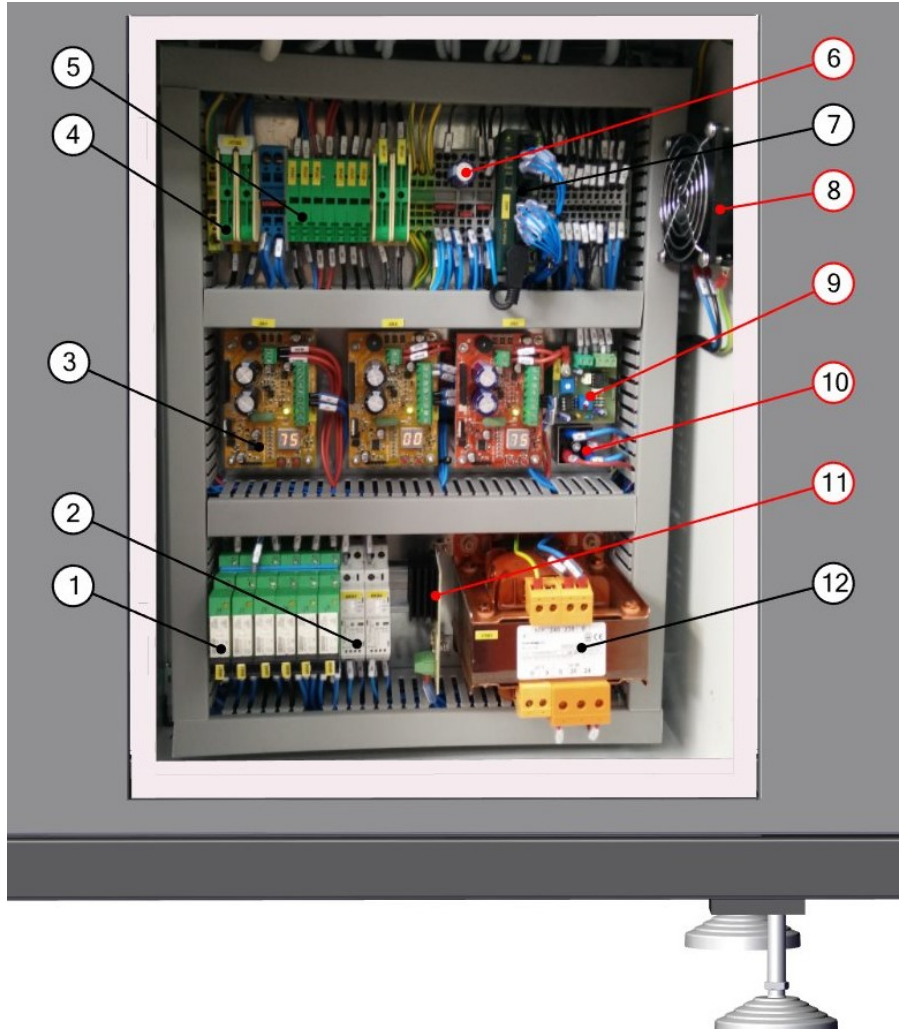
Dr_Ref	Order code	Description	Note
1	ELESENSFITRE	Floating level sensor	
2	ELNTC22K	Temperature probe	
3	TOPORTASENSPOLYPP	Temperature probe holder	
4	MERUOGOM	Rubber wheels	
5	ELRES600	Resistance heating units	
6	F140POO100	Resistance protection	
7	IFPGOT1/2X12	Hose connections 1/2" x 12	
8	IDVAL3VIEL1/2	3way valve 1/2"	
9	IDTUBOEPDM12X20	Connection pipes	
10	IDGOOTMF12	Elbow 1/2"	
11	IDPO5513230	Pumps	ARRIVATO QUI

EXTERNAL COMPONENTS



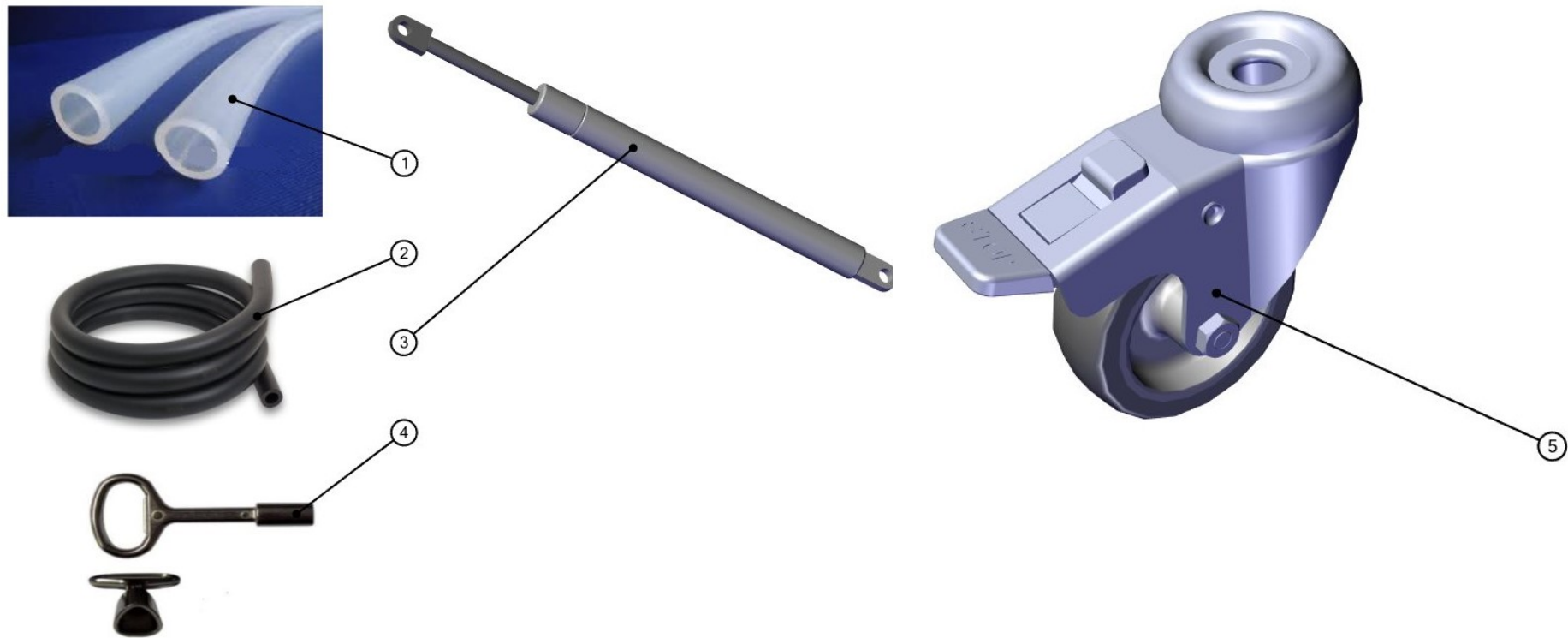
Dr_Ref	Order code	Description	Note
1	ELILMECHO16L	Recycle plug box	
2	ELILMECNM16	Male plug 16P.	
3	ELILMECNF16	Female plug 16P.	
4	ELILMECHI16L	Plug box	
5	ELSELETTOREMANOPOLA + ELBLOCP9B10VN	Pump commutator	
6	ELINTVCF1	Main switch	
7	ELRES270	Dryer heating units	
8	ELVENTGD270/40	Dryer blower	
9	IDPGPVC1"1/4X40	PVC hose connections	
10	IDMANICOTTOPVC1"1/4	PVC Flange	
11	IDPGOT1/2X12	Hose connections	
12	IDGOOTFF12	Elbow d.12	
13	IDVAL3VIEL1/2	3 way valve	

ELECTRICAL PLATE AND OTHER ELECTRICAL PARTS:



Dr_Ref	Order code	Description	Note
1	ELREPH	Phoenix relays 2 contact	
2	ELCONTFN223200244340	Finder contactor	
3	ELESCHEMOTORESMD	Motor driver board	
4	ELMORSETTOFPC10	Fuse holder FC10	
5	ELMORSETTOSFR4	Fuse holders	
6	ELECOND	Condenser 35V 2200mF	
7	ELECPUAFPO	Panasonic plc cpu	
8	ELVENTD.80	Suction blower	
9	ELETEMPPLC	Temperature board	
10	ELEDIODO	Diode bridge 25A	
11	ELESCHEDAAL01	Power board for plc alimentation	
12	ELETR300VA	Transformer 230/24 vac	
13	ELRES270	Dryer resistance heater unit	
14	ELVENTGD270/40	Blower for dryer heating	
15	ELPULSANTEFUNGO40 + ELBLOCPULSFUNGO40C12	Emergency button	
16	ELETPAIG022GQ22D	Touch panel	
	ELECAVOAIGT8192	Connection cable PLC to Touch panel	

OTHER COMPONENTS



Dr_Ref	Order code	Description	Note
1	IDTUBOSILDIAINT40	Discharge pipe	
2	IDTUBOEPDM12X20	Detergent pipes	
3	MEAM500_084360	Machine cover gas springs	
4	MECHITR	Panel key	
5	ME347H29G063RZLD	Front and rear table wheels	

